



ELECTRIC STEAM BOILERS

CEV Line

- Power range between 25 and 4.000 kW
- Design codes: AD-MERKBLÄTTER, EN-13445
- CE Marked
- Design pressure: 9 bar(g)
- Max. Working pressure: 8 bar(g)
- Design temperature: 200°C
- Max. Working temperature: 175°C

OPTIONS:

- Different steam productions
- Different pressures
- ATEX Execution
- Toal execution in INOX
- Automatic purge of salts
- Automatic blowdown purge
- Overheating securities

The electric steam boilers heat the fluid using one or several electric resistances. The connection of these resistances allows to separate the power in several stages.

The power regulation is completely automatic and is granted simply selecting the desired temperature in the control panel. In the control panel are placed contactors or solid state relays that will active the different stages of the resistance.

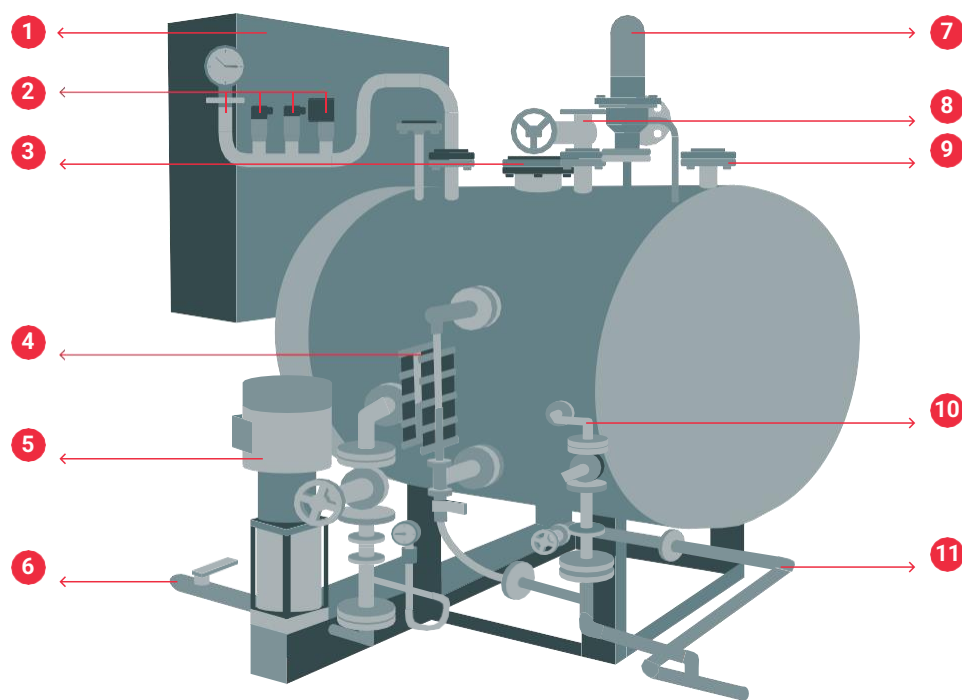


APPLICATIONS:

- Food processes
- Sterilization
- Cleaning
- Humidification
- Research centers
- Universities
- Solar energy
- Mining
- Presses
- Reactors
- Hydration processes
- Heating process
- Textile industry
- Industrial laundry
- Pilot centers

BOILER SCHEME:

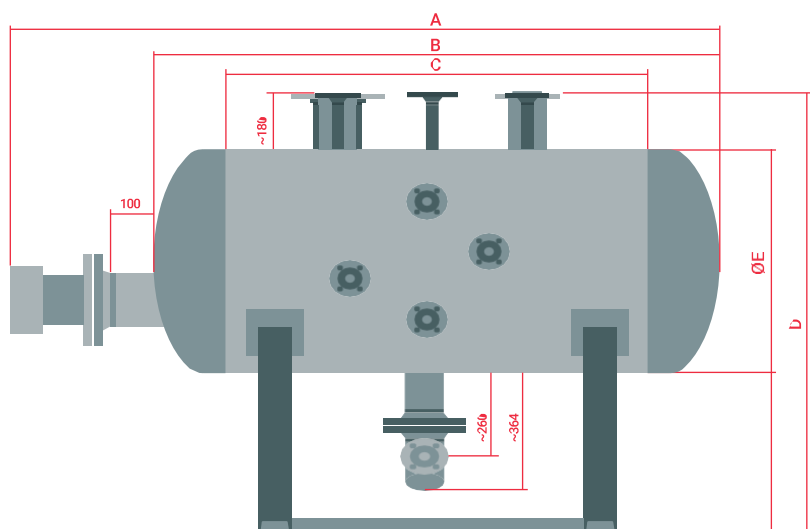
- 1 Control panel
- 2 Pressure switches and pressure gauge
- 3 Level control
- 4 Visual level
- 5 Feeding pump
- 6 Feeding network inlet
- 7 Safety valve
- 8 Steam outlet
- 9 Level security
- 10 Purge of salts
- 11 Blowdown purge



MAIN DIMENSIONS (mm):

MODEL	RESISTANCES 1 X power	OVERALL DIMENSIONS				
		A	B	C	D	E
CEV-25	1 x 25 kW	1345	1010	700	1275	600
CEV-50	1 x 50 kW	1345	1010	700	1275	600
CEV-75	1 x 75 kW	1690	1350	1000	1375	700
CEV-100	1 x 100 kW	1690	1350	1000	1375	700
CEV-150	1 x 150 kW	1690	1350	1000	1375	700
CEV-200	1 x 200 kW	1810	1445	1000	1575	900
CEV-2000	3 x 667 kW	4400	3500	2500	2400	1700

MODEL	CALORIFIC POWER	STEAM PRODUCTION (*)
	kW*	kg/h
CEV-25	25	35
CEV-50	50	70
CEV-75	75	105
CEV-100	100	140
CEV-125	125	175
CEV-150	150	210
CEV-175	175	245
CEV-200	200	280
-	-	-
CEV-4000	4000	5600



The manufacturer reserves the right to modify the dimensions according to the final execution drawings.

Category according to DEP 97/23 CE: Cat. IV, mod G.
(*) Other powers and pressures on demand.

